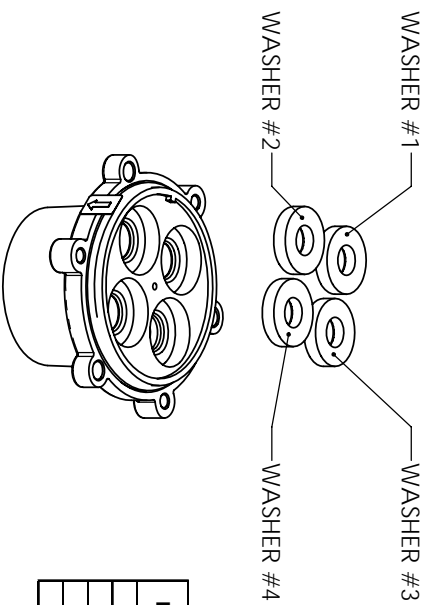


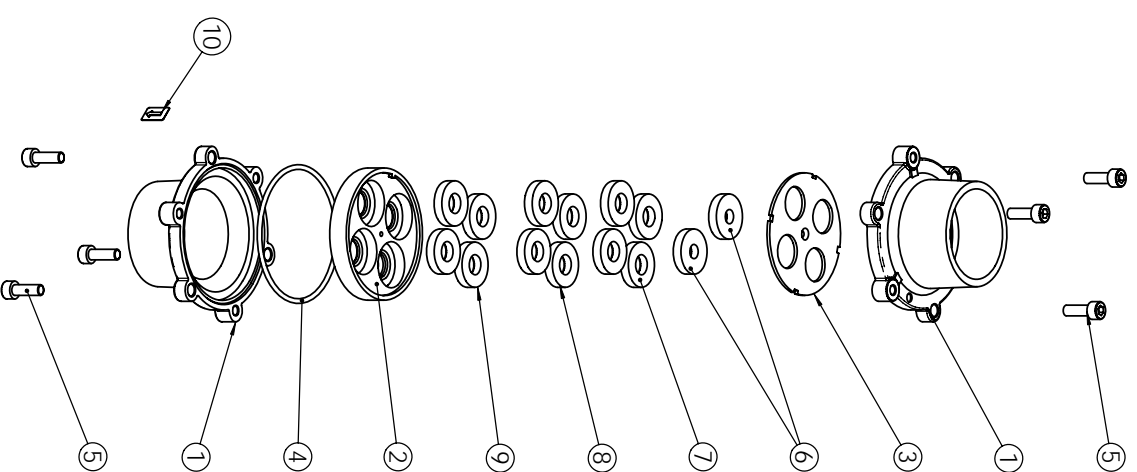
ITEM	P/N	DESCRIPTION	25580-30 GPM	25580-35 GPM	25580-40 GPM	25580-45 GPM	25580-50 GPM	25580-55 GPM	25580-60 GPM	25580-65 GPM	25580-70 GPM	25580-75 GPM	25580-80 GPM	25580-85 GPM	25580-90 GPM	25580-100 GPM	25580-ALL GPM
1	27913-21	2" FLOW CONTROL HOUSING-- BSP	2	2	2	2	2	2	2	2	2	2	2	2	2	2	2
2	16649	HOLDER DLFC BUTTON	1	1	1	1	1	1	1	1	1	1	1	1	1	1	1
3	16650	PLATE DLFC COVER	1	1	1	1	1	1	1	1	1	1	1	1	1	1	1
4	16804	O-RING	1	1	1	1	1	1	1	1	1	1	1	1	1	1	1
5	25177	SCREW	6	6	6	6	6	6	6	6	6	6	6	6	6	6	6
6	16529	FLOW CONTROL WASHER 10 GPM	-	-	-	-	1	-	-	-	-	-	-	-	-	-	2
7	16736	FLOW CONTROL WASHER 15 GPM	2	1	-	-	-	3	4	3	2	1	-	-	-	-	4
8	16528	FLOW CONTROL WASHER 20 GPM	-	1	2	1	-	-	1	2	2	3	4	3	2	-	4
9	16737	FLOW CONTROL WASHER 25 GPM	-	-	-	1	2	-	-	-	-	-	1	2	4	4	4
10	BU28656	LABEL	1	1	1	1	1	1	1	1	1	1	1	1	1	1	1

ECN	Rev.	Description	Date (dd/mm/yy)	Approved
F5054	E	Added 25580-ALL version * Add Chart user for Flow Washer Combination **	9/10/09	MP/LD
F5083	F	Add BU28656 DLFC LABEL For All versions	26/11/2009	MP/LD



PN WASHER	SIZE GPM
16529	10
16736	15
16528	20
16737	25

PART NUMBER	DESCRIPTION - Version	WASHER #1	WASHER #2	WASHER #3	WASHER #4
25580-30	DLFC 2in BSP - 2in BSP ASSY 30 GPM	16736	16736	N/A	N/A
25580-35	DLFC 2in BSP - 2in BSP ASSY 35 GPM	16736	16528	N/A	N/A
25580-40	DLFC 2in BSP - 2in BSP ASSY 40 GPM	16528	16528	N/A	N/A
25580-45	DLFC 2in BSP - 2in BSP ASSY 45 GPM	16528	16737	N/A	N/A
25580-50	DLFC 2in BSP - 2in BSP ASSY 50 GPM	16737	16737	N/A	N/A
25580-55	DLFC 2in BSP - 2in BSP ASSY 55 GPM	16736	16736	16529	16529
25580-60	DLFC 2in BSP - 2in BSP ASSY 60 GPM	16736	16736	16736	16736
25580-65	DLFC 2in BSP - 2in BSP ASSY 65 GPM	16736	16736	16736	16528
25580-70	DLFC 2in BSP - 2in BSP ASSY 70 GPM	16736	16736	16528	16528
25580-75	DLFC 2in BSP - 2in BSP ASSY 75 GPM	16736	16528	16528	16528
25580-80	DLFC 2in BSP - 2in BSP ASSY 80 GPM	16528	16528	16528	16528
25580-85	DLFC 2in BSP - 2in BSP ASSY 85 GPM	16528	16528	16528	16737
25580-90	DLFC 2in BSP - 2in BSP ASSY 90 GPM	16528	16528	16737	16737
25580-100	DLFC 2in BSP - 2in BSP ASSY 100 GPM	16737	16737	16737	16737



25580-ALL  
KIT, DLFC, 2 in, 3150/3900 for SAV



DLFC 2in BSP - 2in BSP ASSY (30 to 100 GPM)

25580-XX